

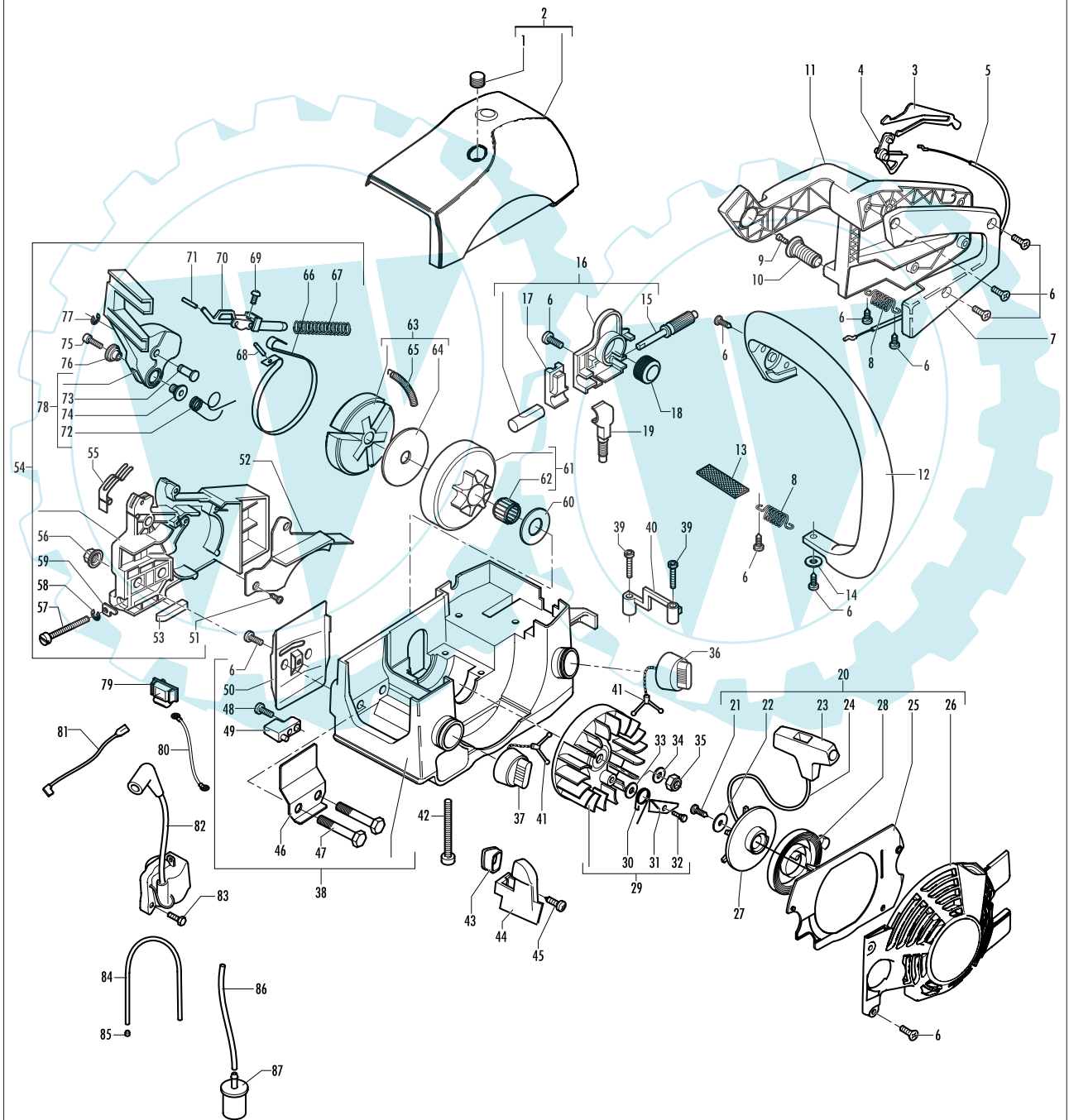
| | |
|-------|----------------|
| brand | PARTNER |
|-------|----------------|

| | | |
|------|--------|-----------|
| date | MAY/03 | SHEET 1/4 |
|------|--------|-----------|

| | |
|----------------------|--------|
| Model | Prefix |
| P 511 15".325 | 01 |
| | |
| | |

| |
|------------------|
| Product number |
| 953900432 |
| |
| |

FIGURE 1



| | |
|-------|----------------|
| brand | PARTNER |
|-------|----------------|

| | | |
|------|--------|-----------|
| date | MAY/03 | SHEET 2/4 |
|------|--------|-----------|

| | |
|----------------------|--------|
| Model | Prefix |
| P 511 15".325 | 01 |
| | |
| | |

| |
|------------------|
| Product number |
| 953900432 |
| |
| |

FIGURE 1

| pos | P/N McC | P/N ELX | Qty | DESCRIPTION |
|-----|-----------|-----------|-----|-------------------------|
| 1 | 503227001 | 503227001 | 1 | slotted barrel nut M5 |
| 2 | 242478 | 538242478 | 1 | cylinder cover |
| 3 | 506014503 | 506014503 | 1 | lever |
| 4 | 242658 | 538242658 | 1 | half handle post dx |
| 5 | 506014004 | 506014004 | 1 | gas cable |
| 6 | 503213216 | 503213216 | 3 | screw |
| 7 | 242657 | 358242657 | 1 | half handle post. |
| 8 | 506014601 | 506014601 | 2 | antivibe spring |
| 9 | 503200216 | 503200216 | 1 | screw M5x16 |
| 10 | 506014701 | 506014701 | 1 | antivibe spring |
| 11 | 242658 | 538242658 | 1 | half handle post dx |
| 12 | 503711401 | 503711401 | 1 | handle |
| 13 | 503119202 | 503119202 | 1 | strap |
| 14 | 503230042 | 503230042 | 1 | washer |
| 15 | 506023901 | 506023901 | 1 | pump plunger |
| 16 | 506027701 | 506027701 | 1 | oil pump |
| 17 | 506024201 | 506024201 | 1 | oil guide |
| 18 | 503104902 | 503104902 | 1 | pump drive wheel |
| 19 | 503101601 | 503101601 | 1 | suction hose CPL ass'y |
| 20 | 242656 | 538242656 | 1 | starter device |
| 21 | 503210616 | 503210616 | 1 | screw |
| 22 | 227259 | 538227259 | 1 | washer |
| 23 | 503543901 | 503543901 | 1 | starter handle |
| 24 | 505305125 | 505305125 | 1 | starter rope |
| 25 | 242740 | 538242740 | 1 | starter cover |
| 26 | 242475 | 538242475 | 1 | starter cover ari conv. |
| 27 | 506016401 | 506016401 | 1 | starter pulley |
| 28 | 501763101 | 501763101 | 1 | spring starter |
| 29 | 503790004 | 503790004 | 1 | flywheel assy |
| 30 | 503783201 | 503783201 | 1 | spring |
| 31 | 503710203 | 503710203 | 1 | pawl |
| 32 | 501819903 | 501819903 | 1 | screw |
| 33 | 503230042 | 503230042 | 1 | washer |
| 34 | 503230101 | 503230101 | 1 | washer |
| 35 | 503221011 | 503221011 | 1 | nut |
| 36 | 506027505 | 506027505 | 1 | ass. cap mix |
| 37 | 503551601 | 503551601 | 1 | tank cap |
| 38 | 503498201 | 503498201 | 1 | tsnk CPL |
| 39 | 503213230 | 503213230 | 2 | screw |
| 40 | 503748101 | 503748101 | 1 | place switch |
| 41 | 503578901 | 503578901 | 1 | holder |
| 42 | 242727 | 538242727 | 4 | screw TC M6x60 |
| 43 | 503711001 | 503711001 | 1 | induction pipe |
| 44 | 503711101 | 503711101 | 1 | induction ipe |

| pos | P/N McC | P/N ELX | Qty | DESCRIPTION |
|-----|-----------|-----------|-----|-------------------------|
| 45 | 503213216 | 503213216 | 9 | screw |
| 46 | 242499 | 538242499 | 1 | guide plate |
| 47 | 506013101 | 506013101 | 2 | bolt |
| 48 | 503213216 | 503213216 | 9 | screw |
| 49 | 506031603 | 506031603 | 1 | brake chain |
| 50 | 503492501 | 503492501 | 1 | chain guide - p.kaatari |
| 51 | 503212810 | 503212810 | 6 | screw |
| 52 | 503606901 | 503606901 | 1 | cover spring |
| 53 | 501795801 | 501795801 | 1 | guide |
| 54 | 242659 | 538242659 | 1 | ass. clutch cover |
| 55 | 501874701 | 501874701 | 1 | spring |
| 56 | 227762 | 538227762 | 2 | nut M 8 |
| 57 | 242560 | 538242560 | 1 | chain tensioner screw |
| 58 | 227504 | 538227504 | 1 | benzing 5mm |
| 59 | 505267895 | 505267895 | 1 | puller unit - p.kaatari |
| 60 | 503230105 | 503230105 | 1 | washer |
| 61 | 503159802 | 503159802 | 1 | clutch drum |
| 62 | 503253401 | 503253401 | 1 | support bushing |
| 63 | 503173102 | 503173102 | 1 | clutch CPL |
| 64 | 504184401 | 504184401 | 1 | clutch |
| 65 | 504210016 | 504210016 | 1 | spring |
| 66 | 501875401 | 501875401 | 1 | spring |
| 67 | 503688501 | 503688501 | 1 | brake band |
| 68 | 721425250 | 721425250 | 1 | elastic pin |
| 69 | 503212810 | 503212810 | 6 | screw |
| 70 | 501875301 | 501875301 | 1 | knee-joint |
| 71 | 720123300 | 720123300 | 1 | pin 3x10 |
| 72 | 503610801 | 503610801 | 1 | spring |
| 73 | 503802701 | 503802701 | 1 | brake lever pin |
| 74 | 501768101 | 501768101 | 1 | bushing |
| 75 | 503202616 | 503202616 | 1 | screw |
| 76 | 501768001 | 501768001 | 1 | bushing |
| 77 | 235367 | 538235367 | 1 | benzing 4mm |
| 78 | 503513102 | 503513102 | 1 | hand guard |
| 79 | 503718001 | 503718001 | 1 | stop switch |
| 80 | 503440601 | 503440601 | 1 | ground lead |
| 81 | 506013701 | 506013701 | 1 | shorting lead |
| 82 | 503580501 | 503580501 | 1 | ignition module |
| 83 | 503202520 | 503202520 | 2 | screw |
| 84 | 242528 | 538242528 | 1 | hose 110mm |
| 85 | 504357201 | 504357201 | 1 | hose filter |
| 86 | 242527 | 538242527 | 1 | hose 130mm |
| 87 | 503443201 | 503443201 | 1 | filter mix |

A= ALTA ROTAZIONE
B=MEDIA ROTAZIONE
C=BASSA ROTAZIONE

A=HIGH MOVING
B=MEDIUM MOVING
C=SLOW MOVING

A=HAUTE DEMANDE
B=MOYENNE DEMANDE
C=BASSE DEMANDE

A=GROÙE NACHFRAGE
B=MITTELMAÙßIGE
C=WENIGE NACHFRAGE

| | |
|-------|----------------|
| brand | PARTNER |
|-------|----------------|

| | | |
|------|--------|-----------|
| date | MAY/03 | SHEET 3/4 |
|------|--------|-----------|

| | |
|----------------------|--------|
| Model | Prefix |
| P 511 15".325 | 01 |
| | |
| | |

| |
|------------------|
| Product number |
| 953900432 |
| |
| |

FIGURE 2

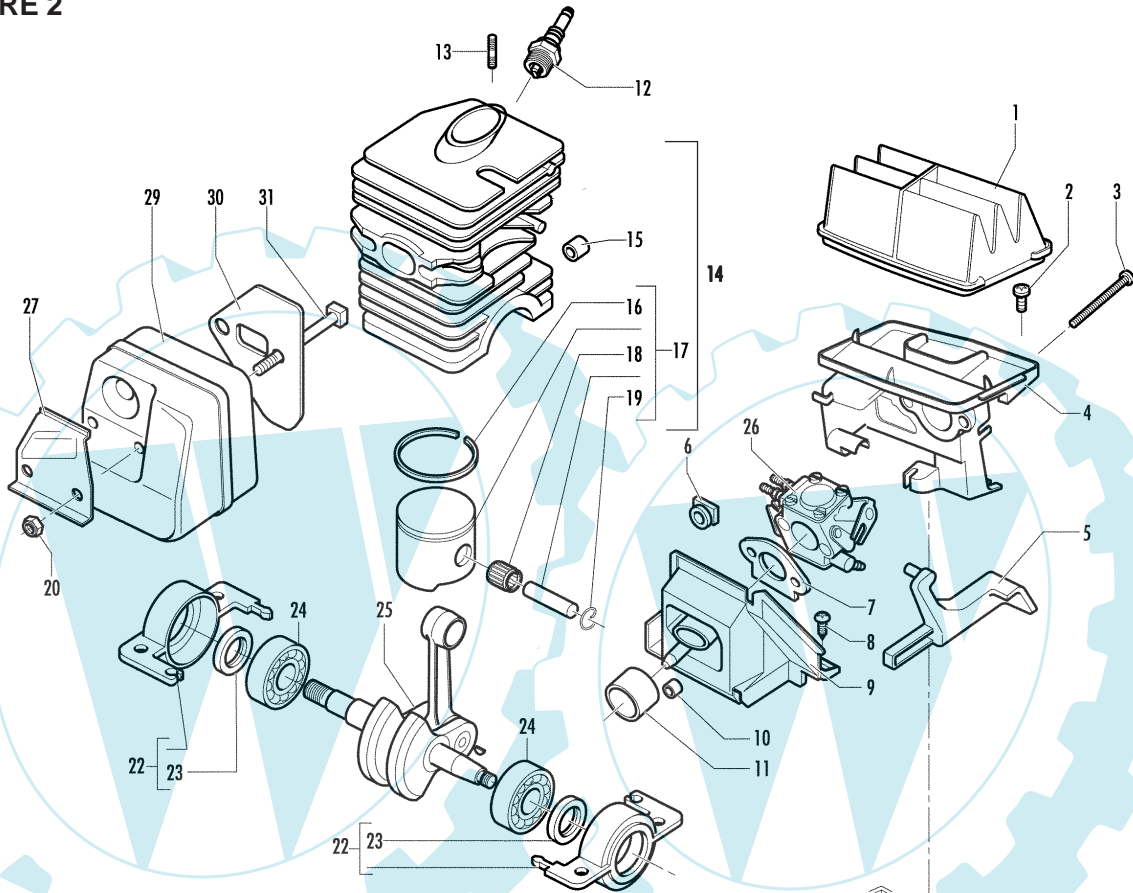
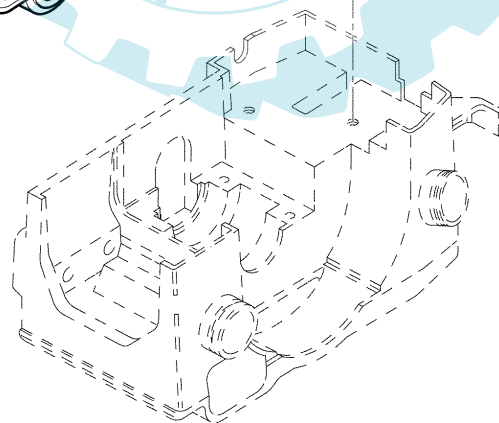
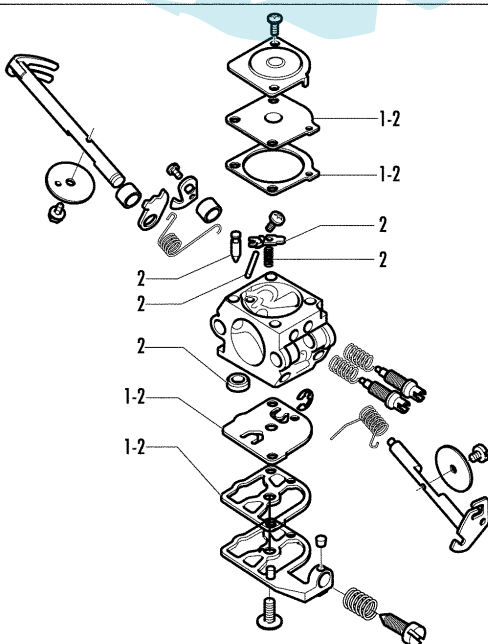


FIGURE 3 - CARB. ZAMA C1Q-EL1



| | |
|-------|----------------|
| brand | PARTNER |
|-------|----------------|

| | | |
|------|--------|-----------|
| date | MAY/03 | SHEET 4/4 |
|------|--------|-----------|

| | |
|----------------------|--------|
| Model | Prefix |
| P 511 15".325 | 01 |
| | |
| | |

| |
|------------------|
| Product number |
| 953900432 |
| |
| |

FIGURE 2

| pos | P/N McC | P/N ELX | Qty | DESCRIPTION |
|-----|-----------|-----------|-----|---------------------------|
| 1 | 503413203 | 503413203 | 1 | air filter |
| 2 | 503213216 | 503213216 | 2 | screw |
| 3 | 503213245 | 503213245 | 1 | screw |
| 4 | 503413101 | 503413101 | 1 | filter holder |
| 5 | 503105203 | 503105203 | 1 | lever choke |
| 6 | 501527801 | 501527801 | 1 | bushing |
| 7 | 501770002 | 501770002 | 1 | gasket |
| 8 | 503213216 | 503213216 | 3 | screw |
| 9 | 506013503 | 506013503 | 1 | partition |
| 10 | 505310751 | 505310751 | 1 | rubber |
| 11 | 506013202 | 506013202 | 1 | bushing |
| 12 | 240010 | 538240010 | 1 | spark plug RCT7Y |
| 13 | 503208006 | 503208006 | 1 | screw |
| 14 | 503625502 | 503625502 | 1 | cylinder/piston ass'y |
| 15 | 505310751 | 505310751 | 1 | rubber |
| 16 | 503289003 | 503289003 | 1 | piston ring |
| 17 | 249183 | 538249183 | 1 | piston kit |
| 18 | 501451601 | 501451601 | 1 | needle bearing |
| 19 | 737441000 | 737441000 | 2 | ring |
| 20 | 503222302 | 503222302 | 2 | nut |
| 22 | 506056502 | 506056502 | 2 | crank shaft housing ass'y |
| 23 | 505275719 | 505275719 | 2 | seal ring |
| 24 | 738220225 | 738220225 | 2 | bearing |
| 25 | 503573805 | 503573805 | 1 | crank shaft assy |
| 26 | FIGURE 3 | | 1 | carb. |
| 27 | 503853301 | 503853301 | 1 | exh.outlet ass'y |
| 29 | 506011703 | 506011703 | 1 | muffler |
| 30 | 503723701 | 503723701 | 1 | muffler gasket |
| 31 | 503218201 | 503218201 | 2 | square head screw 5x57 |

FIGURE 3

CARB.ZAMA C1Q-EL 1

| pos | P/N McC | P/N ELX | Qty | DESCRIPTION |
|-----|-----------|-----------|-----|------------------|
| 1 | 503283101 | 503283101 | 1 | carb. |
| 1 | 503482101 | 503482101 | 1 | diaph.gasket kit |
| 2 | 249171 | 538249171 | 1 | rep.kit RB45Z |

A= ALTA ROTAZIONE
B=MEDIA ROTAZIONE
C=BASSA ROTAZIONE

A=HIGH MOVING
B=MEDIUM MOVING
C=SLOW MOVING

A=HAUTE DEMANDE
B=MOYENNE DEMANDE
C=BASSE DEMANDE

A=GROßE NACHFRAGE
B=MITTELMÄßIGE
C=WENIGE NACHFRAGE